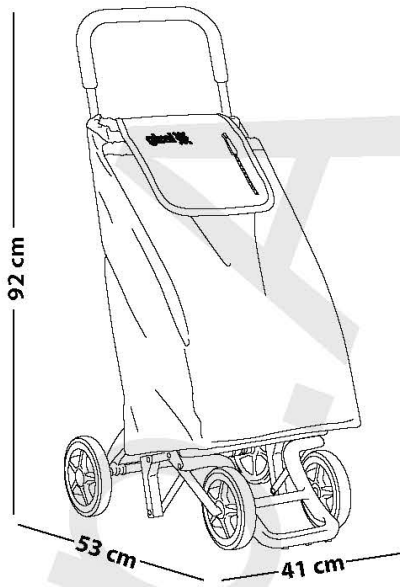
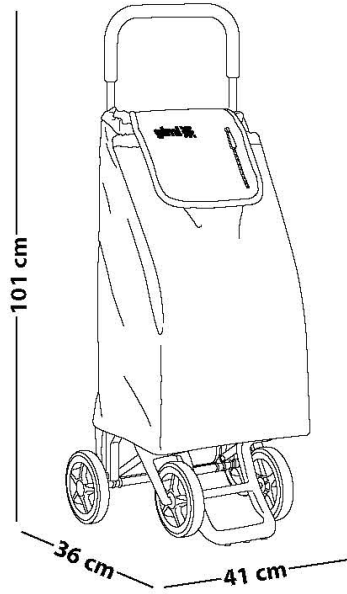


20

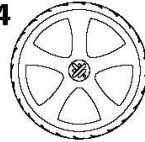
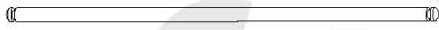
40



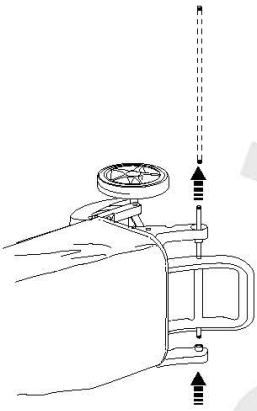
x2

x1

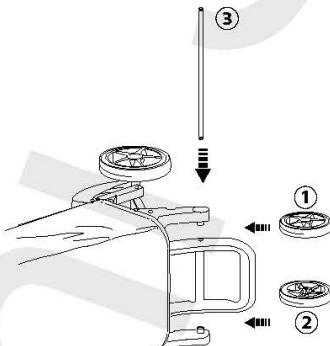
x2/4



1



2



3

